

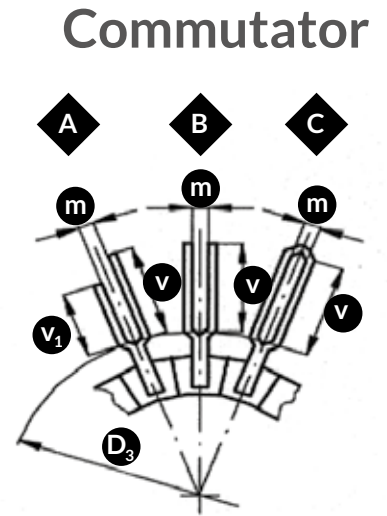
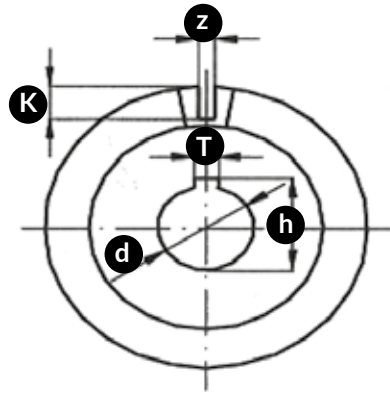
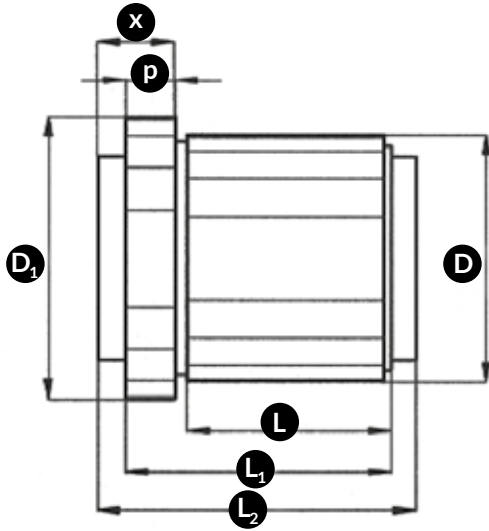


Commutator and rings

orders / enquiries

Company/Name _____
 Contact _____

E-mail _____
 Telephone _____



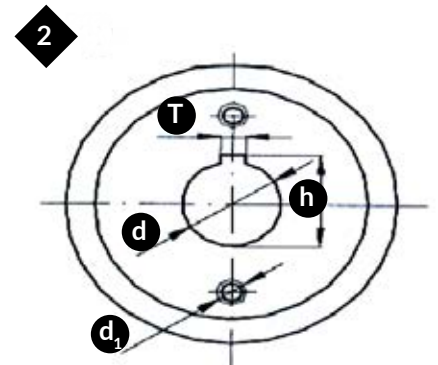
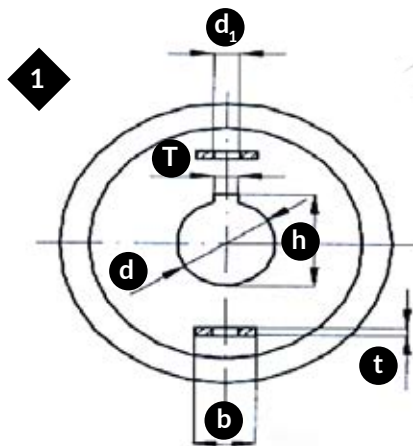
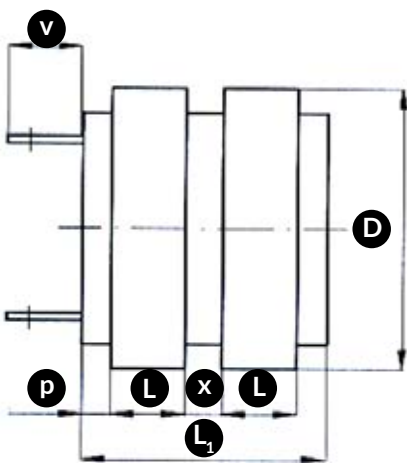
Commutator

Dimensions (mm) :

D: _____ x: _____
 D₁: _____ p: _____
 D₃: _____ z: _____
 d: _____ k: _____
 T: _____ h: _____
 L: _____ m: _____
 L₁: _____ v: _____
 L₂: _____ v₁: _____

Technical data :

Nr. of commutator bars : _____ Voltage between commutator bar and brush: _____ v
 Current supply: AC DC Plate speed : _____
 Machine voltage: _____ v Service temperature : _____
 Power: _____ Kw Type of flap connection (A,B,C) : _____
 max. service speed : _____ Ventilation holes: Yes No
 Voltage between commutator bars : _____ v
 Comments and special requirements :



Rings

Dimensions (mm) :

D: _____ p: _____
 d: _____ h: _____
 T: _____ v: _____
 L: _____ d₁: _____
 L₁: _____ b: _____
 x: _____ t: _____

Technical data :

Nr. of rings : _____ Power : _____ Kw
 Current supply: AC DC Max. service speed : _____ rpm
 Machine voltage: _____ v Service temperature : _____
 Comments and special requirements :

Comments: